



12.9m



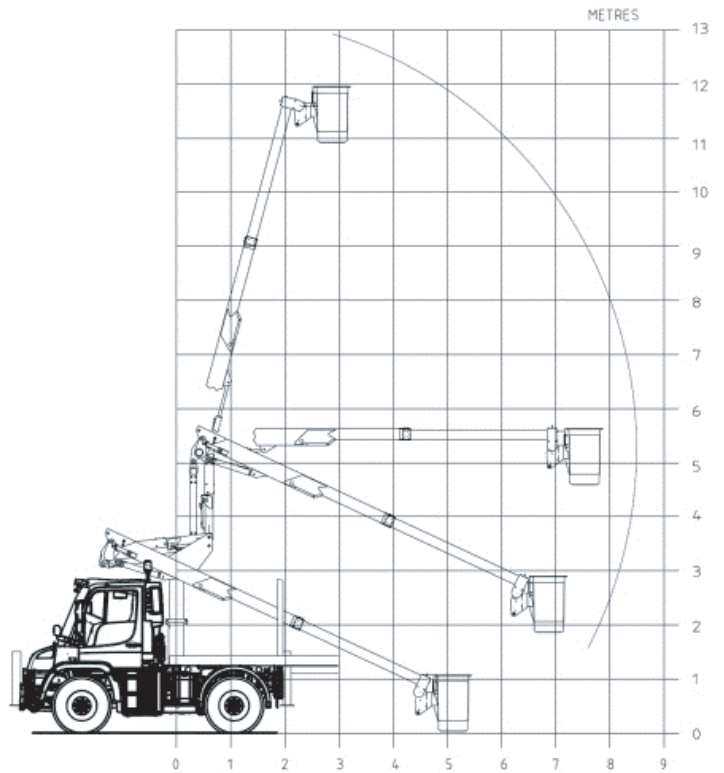
8.6m



200kg



7.5t



A robust design for increased versatility and maneuverability for maintenance work.

The Altec AT33 GS2 can be easily mounted onto a 7.5t GVW chassis. This 2-man platform has 180° hydraulic platform rotation with platform tilt, and 200kg platform capacity.

FEATURES

- Insulating; ANSI 92.2 Category C and EN61057
- Altec ISO-Grip® control system (U.S. Patent No. 7,416,053)
- 4-function, single handle upper control dielectrically tested to 40kV AC with no more than 400 microamperes of leakage. (The control handle is green in colour to differentiate it from other non-tested controllers)
- Compensated articulating arm
- Fiberglass lower boom and telescopic inner boom
- Fiberglass single 2-man platform, 24" x 48" x 42"
- Hydraulic boom extension
- Platform access from ground
- Full-pressure, open-centre hydraulic system
- Tool circuit at platform

- Emergency stop valves at all upper and lower control stations
- Secondary stowage system
- Engine start/stop
- Second tool circuit at platform

OPTIONS

- Emergency pump run function on engagement of PTO
- Set of spreaderfeet
- Many others on request

