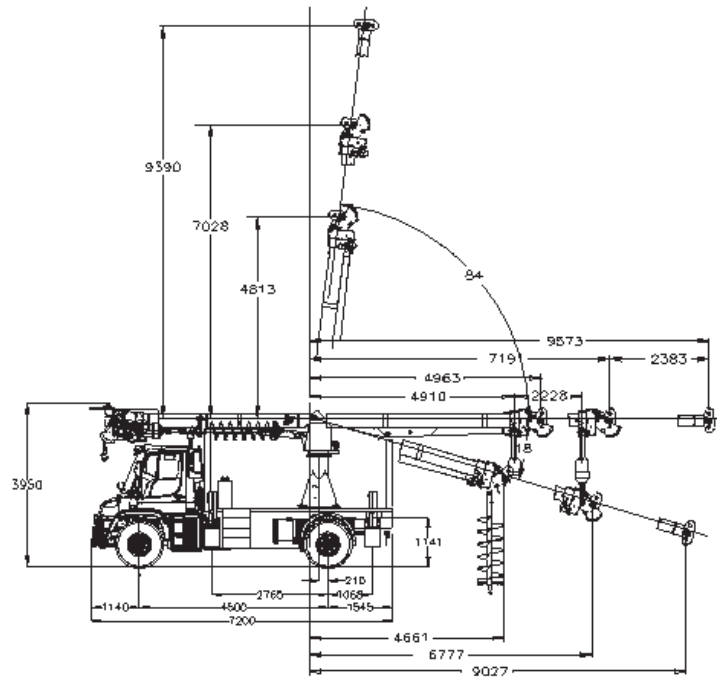




Max. lift capacity	13,608kg
Max. capacity at 10' radius	4663kg
Pole sheath height	12.6m
Outreach	9.6m
Dig radius min/max	4.3m / 6.5m
Boom articulation	-18° – 84°



A robust heavy duty design for increased versatility and maneuverability for construction and maintenance work.

The Altec DL42B features an added material handling package. It can also be fitted with a boom tip or turret wing to give maximum lifting capacity.

FEATURES

- Meets or exceeds ANSI 31-1995 and EN61057
- Hydraulically extending full capacity fibreglass upper boom
- Continuous rotation comes with HC worm drive gearbox
- Operation work station at rear
- 15,000lbs capacity turntable winch
- Five function hydraulic overload protection system
- Fibreglas boom tip and transferable steel flares for pole setting
- Hydraulic tilting pole guide comes with interlock.

OPTIONS

- Emergency pump run function on engagement of PTO
- Boom tip winch
- Racio controls
- Side load protection
- RotaFloat for setting screw anchors
- GRP personnel basket
- Set of spreader feet.
- Many others on request



PLEASE NOTE THAT PHOTOS USED ARE OF DIFFERENT SIZES OF DIGGER DERRICKS.